

Warewashing
Small Double Skin Glasswasher,
rinse aid dispenser, 30b/h

ITEM # _____

MODEL # _____

NAME # _____

SIS # _____

AIA # _____



402205 (ZSI)

Glasswasher (small), with double skin, built-in rinse aid dispenser, 1 cycle, 30b/h

Short Form Specification

Item No. _____

Unit shall be Glasswasher type hot water rinsing using rack dimension of 400*400mm. Electrical characteristics to be 230 volts single phase 50Hz operation with one wash cycle of 120 seconds. Washing performance is ensured by a powerful wash pump, revolving washing spray arms from both bottom and top. Rinse temperature and pressure guaranteed by built in pressure boiler. Double skinned counter-balance door. Large door opening of 290mm for washing tall glasses. Double skinned cabinet. Pressed tank with round corners. 304 stainless steel construction to include door, frame, wash tank, wash arms and rinse arms. The unit is equipped with rinse aid dispenser and electric cable with Schuko plug.

Main Features

- Built-in rinse aid dispenser with automatic initial and continuous cycle loading for perfect result while minimizing service and maintenance needs.
- Deep drawn pressed wash tank with fully rounded corners, sloped towards the drain to prevent dirt build up provides fast drainage in only a few minutes. Pressed wash tank with no welded points offer a guaranteed water tight solution.
- Low noise level.
- 120 seconds cycle.
- Built-in pressure boiler designed to raise incoming water to a guaranteed minimum temperature of 82°C for sanitizing rinse. No external boiler is required.
- Maximum capacity of 30 racks per hour.
- Equipped with single phase electrical cable and Schuko plug for easy and fast installation.
- Washing system endowed with rotating washing arms from both top and bottom, high powered wash pump and large capacity wash tank guarantee professional washing.
- Easy service access to main components without moving the unit.
- Optional rinse booster pump available to be installed on site.

Construction

- Completely closed on the back by a cover plate.
- Unit to feature rinse aid dispenser pump.
- Wash/rinse arms and nozzles in stainless steel.
- Finished in top quality stainless steel with double skinned construction to aid durability and reduce noise.
- Internal components (arms and filter) are easy extractable.

Sustainability

- 304 AISI stainless steel front panel, load bearing frame, wash tank, wash and rinse arms.
- Simple operation control panel.
- Insulated double skin door construction preserves heat inside the tank to lower energy consumption and the noise. Counter-balance mechanism minimizes impact when opening and closing.

Included Accessories

- 1 of Square basket for glasses PNC 864470
400x400x150mm

Optional Accessories

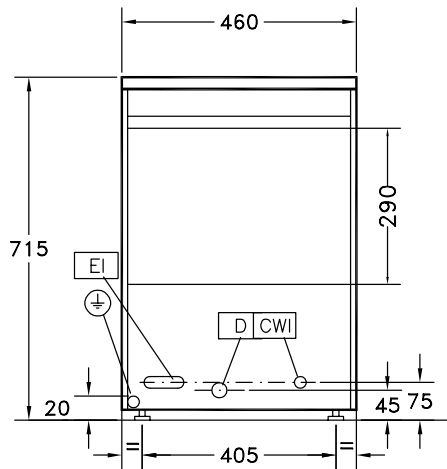
- External manual water softener - 12 lt PNC 860412
- External manual water softener - 20 lt PNC 860430
- Stainless steel tank filter for glasswashers PNC 864003
- Filter for partial demineralization PNC 864017
- Kit to measure total/partial water hardness PNC 864050
- Rinse booster pump kit for single tank pressure dishwasher PNC 864051
- Yellow cutlery container PNC 864242
- Filter for total demineralization PNC 864367

APPROVAL: _____

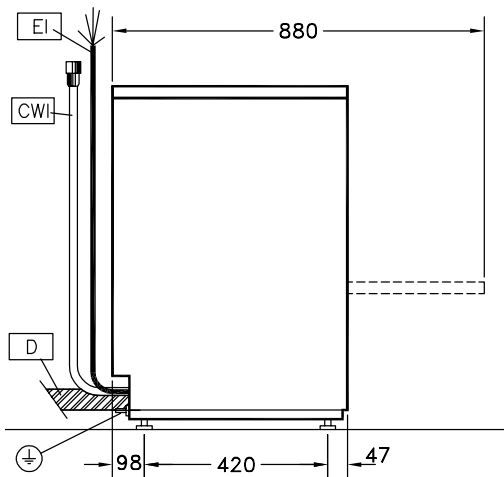
- | | | |
|---|------------|--------------------------|
| • Pressure reducer for single tank dishwasher | PNC 864461 | <input type="checkbox"/> |
| • Set of 4 yellow cutlery containers | PNC 865574 | <input type="checkbox"/> |
| • Cover grid for small/light items in rack | PNC 867016 | <input type="checkbox"/> |
| • Basket for glasses (395x395x115) | PNC 867033 | <input type="checkbox"/> |
| • Basket for 16 plates diam.190 mm, 8 plates diam. 240 mm | PNC 867052 | <input type="checkbox"/> |
| • Basket for glasses, h. 100 mm | PNC 867053 | <input type="checkbox"/> |
| • Basket for glasses, h. 200 mm | PNC 867054 | <input type="checkbox"/> |
| • Basket for glasses and saucers/cutlery inserts | PNC 867055 | <input type="checkbox"/> |
| • Basket for 16 glasses, h. 200 mm with angled base | PNC 867056 | <input type="checkbox"/> |
| • Round basket kit with square frame | PNC 867057 | <input type="checkbox"/> |
| • Insert for "flute" glasses | PNC 867058 | <input type="checkbox"/> |
| • Insert for 14 saucers for CEB 100/200 | PNC 867060 | <input type="checkbox"/> |
| • Inclined insert for cups | PNC 867061 | <input type="checkbox"/> |
| • Insert for 7 plates diam. 240 mm | PNC 867062 | <input type="checkbox"/> |

Warewashing Small Double Skin Glasswasher, rinse aid dispenser, 30b/h

Front

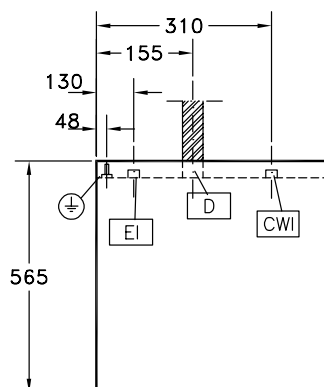


Side



- CW1** = Cold Water inlet 1
(cleaning)
D = Drain
EI = Electrical inlet (power)
EO = Electrical Outlet
WI = Water inlet
XR = Rinse aid connection

Top



Electric

Supply voltage:	230 V/1 ph/50 Hz
Default Installed Power:	3.3 kW
Boiler heating elements:	3 kW
Tank heating elements:	0.8 kW
Wash pump size:	0.3 kW

Water:

Pressure, min-max:	1.8-3 bar
Water supply temperature*:	10 °C
Drain line size:	22mm
Washing tank capacity (lt):	6
Water consumption per cycle (lt):	0 / 2.3
Boiler Capacity (lt):	5
Incoming water line size:	G 3/4"

Key Information:

Wash temperature:	55-65°C
Cell dimensions - width:	400 mm
Cell dimensions - depth:	400 mm
Cell dimensions - height:	290 mm
Rinse temperature:	80-90 °C
External dimensions, Width:	460 mm
External dimensions, Depth:	565 mm
External dimensions, Height:	715 mm
Net weight:	37 kg
Shipping weight:	40 kg
Shipping height:	880 mm
Shipping width:	650 mm
Shipping depth:	530 mm
Shipping volume:	0.3 m ³
Productivity, baskets/h:	30
Productivity, dishes/h:	0
Working cycle, sec:	120

Sustainability

Noise level:	61 dBA
--------------	--------